

Revision History

Table of Revisions

Date	Page	Changed	Rev
Sep 2007	All	First edition	AA
Jan 2010	4, 12	Drawing and Japan location changed	BA
Dec 2010	12	New back cover	BB

Contents

Application.....2

Function.....3

Dimensions4

Code numbers6

Specification.....7

Application

For linking PVG 32 and PVG 120 valve groups into a common block, Sauer-Danfoss can supply a combination module that has the following advantages:

- PVG 32 and 120 can be joined together into one valve group
- compensated oilflow from 5 to 200 l/min. [1.32 to 53 US gal/min].
- compact installation.

The combination module connects the P-, T-, LS- and Pp-channels in PVG 32 to the corresponding channels in PVG 120.

© 2010 Sauer-Danfoss. All rights reserved.

Sauer-Danfoss accepts no responsibility for possible errors in catalogs, brochures and other printed material. Sauer-Danfoss reserves the right to alter its products without prior notice. This also applies to products already ordered provided that such alterations can be made without affecting agreed specifications. All trademarks in this material are properties of their respective owners. Sauer-Danfoss, the Sauer-Danfoss logotype, the Sauer-Danfoss S-icon, PLUS+1™, What really matters is inside® and Know-How in Motion™ are trademarks of the Sauer-Danfoss Group.

Frontpage: P300644.TIF, Drawing 157-453.ai

Function

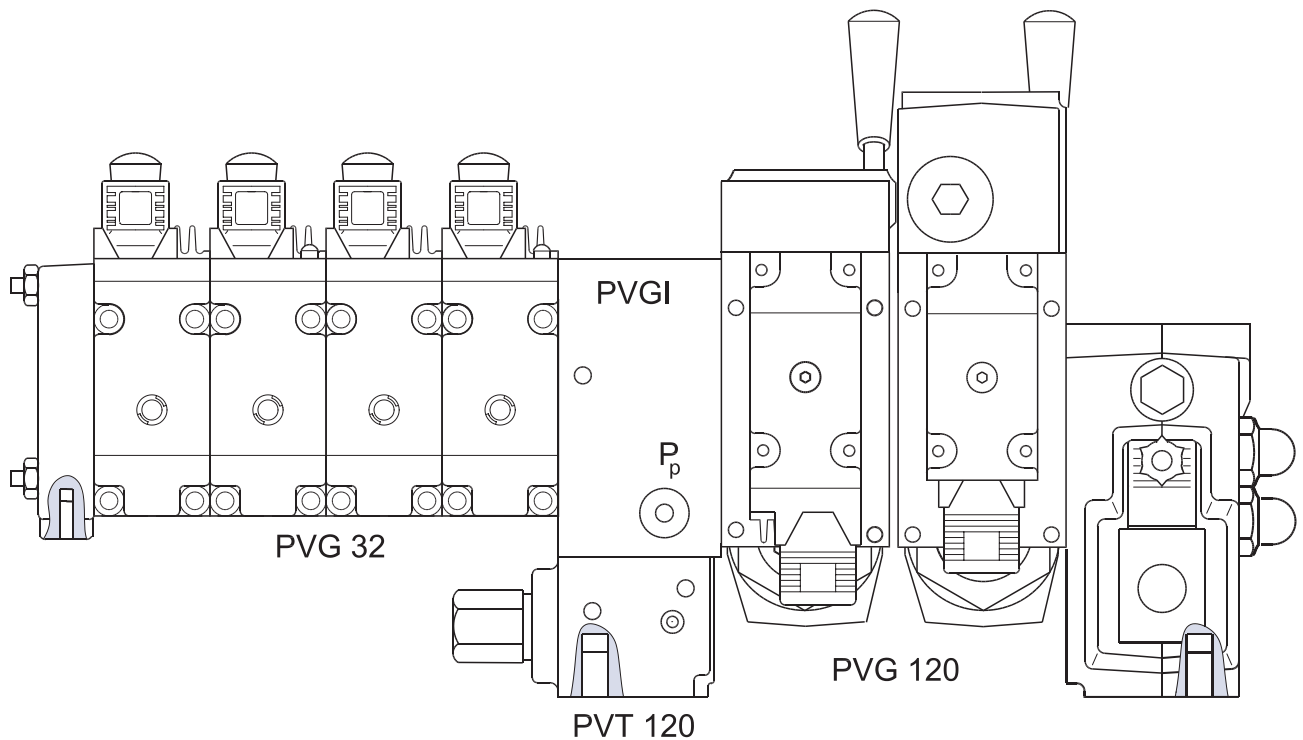
The combination module allows the linking of up to four PVG 120 basic modules with one to seven PVG 32 basic modules in the same valve group assembly (but limited to eight basic PVB modules in one group).

The combination module replaces the PVG 120 tankside upper part which is assembled to a standard PVG 120 tankside lower part.

The PVG 32 group is assembled to the combination module without the use of a PVP 32 pumpside module.

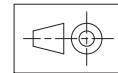
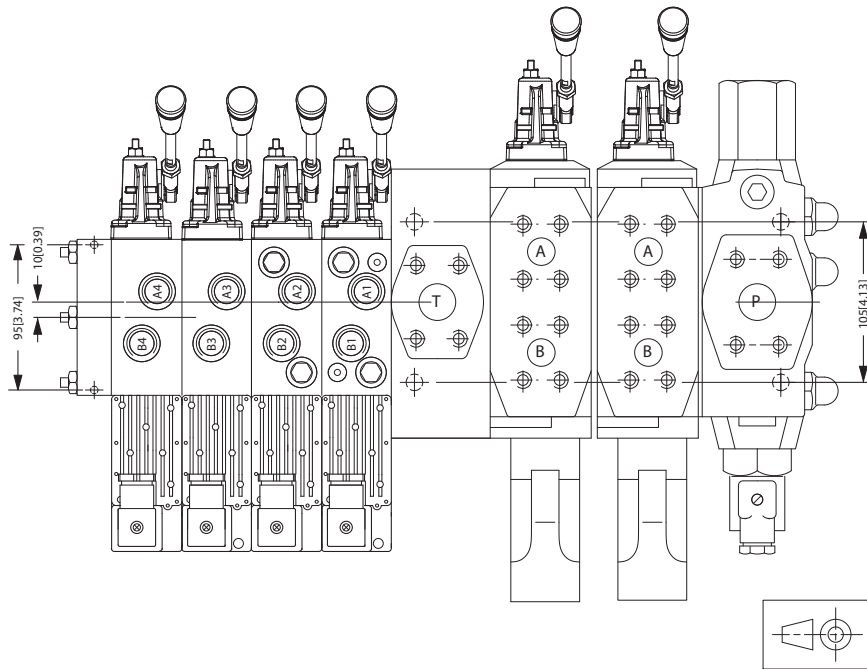
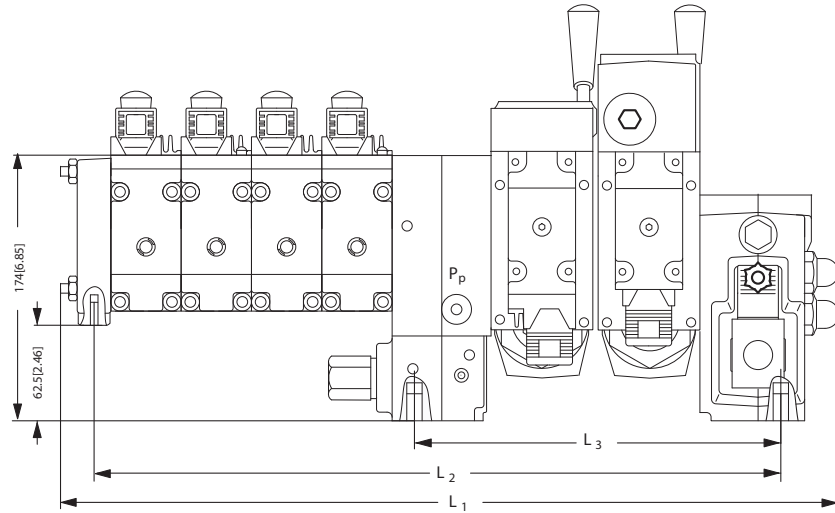
Furthermore, via the P_p-connection it is possible to establish an external supply of pilot oil to the electrical actuators.

The max. P-pressure equals the max. P-pressure for PVG 32 (i.e. 350 bar [5076 psi] cont./int.)



155B482.10

Dimensions



V310167.A

Dimensions

L1

PVG 120 \ PVG 32	1 PVB	2 PVB	3 PVB	4 PVB	5 PVB	6 PVB	7 PVB
0 PVB	242	291	340	389	438	487	536
1 PVB	309	358	407	456	505	554	603
2 PVB	376	425	474	523	572	621	-
3 PVB	443	492	541	590	639	-	-
4 PVB	510	559	608	657	-	-	-

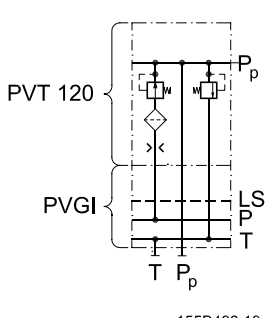
L2

PVG 120 \ PVG 32	1 PVB	2 PVB	3 PVB	4 PVB	5 PVB	6 PVB	7 PVB
0 PVB	177	225	273	321	369	417	465
1 PVB	244	292	340	388	436	484	532
2 PVB	311	359	407	455	503	551	-
3 PVB	378	426	474	522	570	-	-
4 PVB	445	493	541	589	-	-	-

L3

PVB	0	1	2	3	4
L3	103	170	237	304	371

PVGI combination module

Symbol	T-connection	Pp-connection	Code no.	Weight, kg [lb]
	1" SAE flange M10 mounting thread	1/4 G	155G7033	7.5 [16.6]
	1 5/16 -12 UN Boss port	1/2 - 20 UNF	155G7031	7.5 [16.6]
	1" SAE flange 3/8 -16 UNC mounting thread	1/2 - 20 UNF	155G7032	7.5 [16.6]

Stay bolt set PVG 120 and PVG 32

Number of basic modules	PVAS 120 Code no.	Weight		PVAS 32 Code no.	Weight	
		kg	[lb]		kg	[lb]
0	155G8040*	0.40	[0.88]	-	-	-
1	155G8041	0.55	[1.20]	157B8000	0.10	[0.22]
2	155G8042	0.70	[1.54]	157B8001	0.15	[0.33]
3	155G8043	0.85	[1.87]	157B8002	0.25	[0.55]
4	155G8044	1.00	[2.20]	157B8003	0.30	[0.66]
5	-	-	-	157B8004	0.40	[0.88]
6	-	-	-	157B8005	0.45	[0.99]
7	-	-	-	157B8006	0.50	[1.10]

*only applicable in connection with 155G7033



Combination Module PVGI
 Tech Note
 Specification Sheet PVG 120/32

PVG 120/32
 Specification Sheet

Subsidiary/Deale		PVG No.	
Customer		Customer No.	
Application		Revision No.	

Function	A-Port	0	155G	155G	d	B-Port	
			p =	bar psi			
	a 155G	1	155G	155G	e	155G c	
	b 155G	f	155G	LS _{AB}	bar psi	155G b	
	a 155G	2	155G	155G	e	155G c	
	b 155G	f	155G	LS _{AB}	bar psi	155G b	
	a 155G	3	155G	155G	e	155G c	
	b 155G	f	155G	LS _{AB}	bar psi	155G b	
	a 155G	4	155G	155G	e	155G c	
	b 155G	f	155G	LS _{AB}	bar psi	155G b	
		9	155G				
		10	155G				
		11	155G				
	a 157B	1	157B	157B	13	157B c	
	b 157B		LS _A	bar psi	LS _B	bar psi	157B b
	a 157B	2	157B	157B	13	157B c	
	b 157B		LS _A	bar psi	LS _B	bar psi	157B b
	a 157B	3	157B	157B	13	157B c	
	b 157B		LS _A	bar psi	LS _B	bar psi	157B b
	a 157B	4	157B	157B	13	157B c	
	b 157B		LS _A	bar psi	LS _B	bar psi	157B b
	a 157B	5	157B	157B	13	157B c	
	b 157B		LS _A	bar psi	LS _B	bar psi	157B b
	a 157B	6	157B	157B	13	157B c	
	b 157B		LS _A	bar psi	LS _B	bar psi	157B b
	a 157B	7	157B	157B	13	157B c	
	b 157B		LS _A	bar psi	LS _B	bar psi	157B b
Remarks:		11	155G				
		12	157B				

Filled in by	Date
--------------	------



Products we offer:

- Bent Axis Motors
- Closed Circuit Axial Piston Pumps and Motors
- Displays
- Electrohydraulic Power Steering
- Electrohydraulics
- Hydraulic Power Steering
- Integrated Systems
- Joysticks and Control Handles
- Microcontrollers and Software
- Open Circuit Axial Piston Pumps
- Orbital Motors
- PLUS+1™ GUIDE
- Proportional Valves
- Sensors
- Steering
- Transit Mixer Drives

Members of the Sauer-Danfoss Group:

Comatrol

www.comatrol.com

Schwarz Müller-Inverter

www.schwarzmueller-inverter.com

Turolla

www.turollaocg.com

Hydro-Gear

www.hydro-gear.com

Sauer-Danfoss-Daikin

www.sauer-danfoss-daikin.com

Sauer-Danfoss is a global manufacturer and supplier of high-quality hydraulic and electronic components. We specialize in providing state-of-the-art technology and solutions that excel in the harsh operating conditions of the mobile off-highway market. Building on our extensive applications expertise, we work closely with our customers to ensure exceptional performance for a broad range of off-highway vehicles.

We help OEMs around the world speed up system development, reduce costs and bring vehicles to market faster.

Sauer-Danfoss – Your Strongest Partner in Mobile Hydraulics.

Go to www.sauer-danfoss.com for further product information.

Wherever off-highway vehicles are at work, so is Sauer-Danfoss.

We offer expert worldwide support for our customers, ensuring the best possible solutions for outstanding performance. And with an extensive network of Global Service Partners, we also provide comprehensive global service for all of our components.

Please contact the Sauer-Danfoss representative nearest you.

Local address:

Sauer-Danfoss (US) Company
2800 East 13th Street
Ames, IA 50010, USA
Phone: +1 515 239 6000
Fax: +1 515 239 6618

Sauer-Danfoss ApS
DK-6430 Nordborg, Denmark
Phone: +45 7488 4444
Fax: +45 7488 4400

Sauer-Danfoss GmbH & Co. OHG
Postfach 2460, D-24531 Neumünster
Krokamp 35, D-24539 Neumünster, Germany
Phone: +49 4321 871 0
Fax: +49 4321 871 122

Sauer-Danfoss-Daikin LTD.
Shin-Osaka TERASAKI 3rd Bldg. 6F
1-5-28 Nishimiyahara, Yodogawa-ku
Osaka 532-0004, Japan
Phone: +81 6 6395 6066
Fax: +81 6 6395 8585

www.sauer-danfoss.com